

DC Brushless motor K serie | cont.175W, peak 435W

1. Flange dimensions 45mmX45mm, it is coreless motor, no cogging effect, no torque fluctuation.
2. Highly dynamic 3-phase EC motor with 6-pole magnet
3. The motor has high Overload capacity
4. The motor can match to encoder, gearbox and brake



Motor Data

1	nominal voltage	V	12	24	36	volts
2	no load speed	Wnl	5000	10000	15000	rpm
3	no load current	Inl	0.4	0.8	1.2	Amps
4	nominal voltage	Vc	12	24	36	VDC
5	nominal torque	Tc	0.18	0.16	0.14	Nm
6	nominal speed	Wc	3000	7500	12000	rpm
7	nominal current	Ic	8.5	7.5	6.6	amps
8	output power	Pc	57	126	176	watts
9	motor constant	Km	0.0335	0.0335	0.0335	Nm / sqrt (w)
10	torque constant	Kt	0.0233	0.0233	0.0233	Nm / apm
11	back EMF constant	Kv	410	410	410	rpm / volt
		Ke	2.44	2.44	2.44	V / Krpm
12	terminal resistance	Rt	0.43	0.43	0.43	Ω
13	cogging and hysteresis torque	Tc Th	0	0	0	mNm
14	terminal inductance	L	30	30	30	μH
15	mechanical time constant	Tm	28	28	28	ms
16	electrical time constant	Te	0.07	0.07	0.07	ms
17	encoder options	incremental(2500PPR)/Absolute(17/33bit)/Magnetic encoder(1000PPR)				
18	max. efficiency	η	71	81	84	%
19	max. permissible rotor temperature	Temp		120		°C
20	max. output power	Pmax	74	230	435	W
21	terminal definitions	U: green V: black W: red				

*SK45 can only work at 12v and 24V.

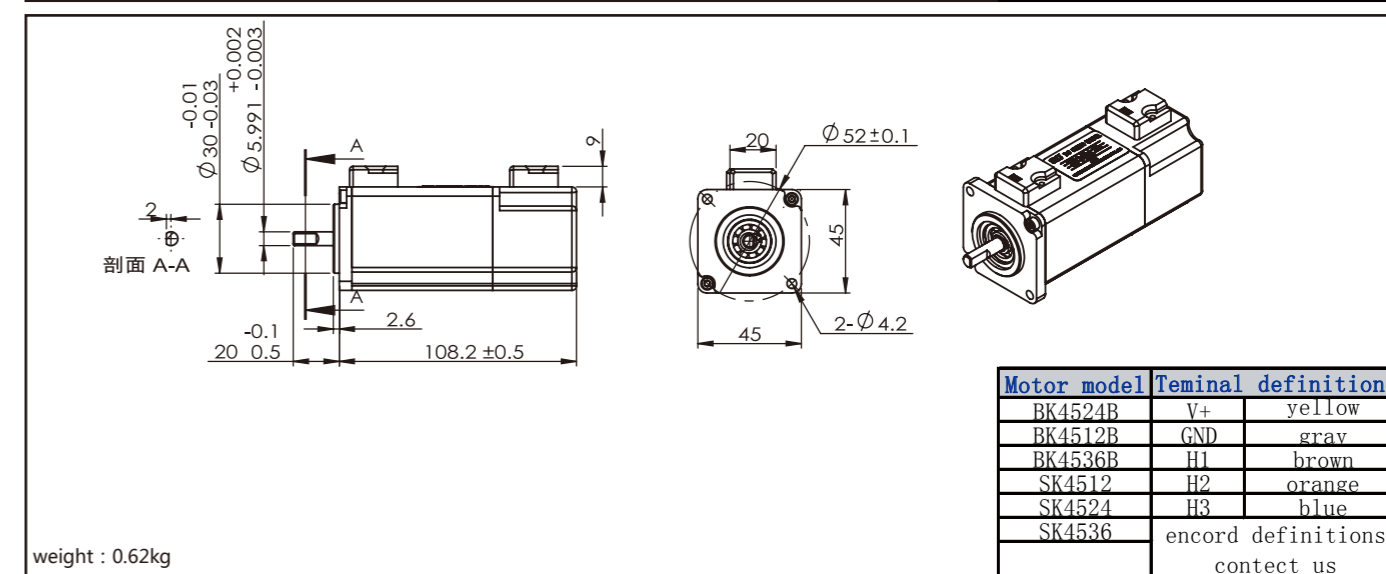
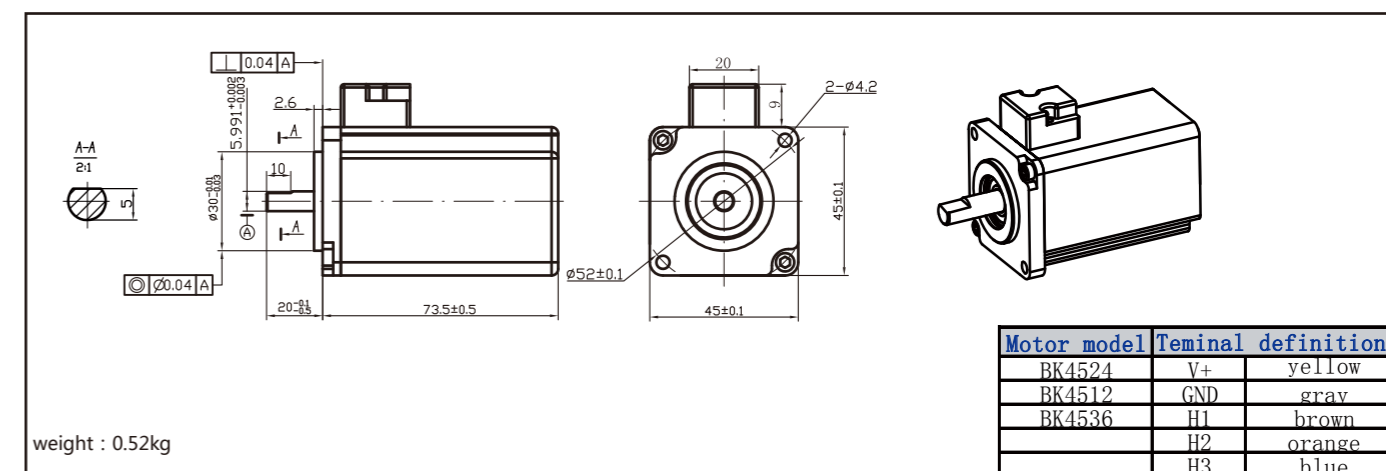
*SK4524' s nominal speed is according to encord type ,please see the table.

Encoder type	Motor model	Nominal speed /rpm	Nominal Power/w	Peak Power/w
Incremental /Absolute	SK4524	5000	84	160
Magnetic encoder	SK4524	7500	126	230

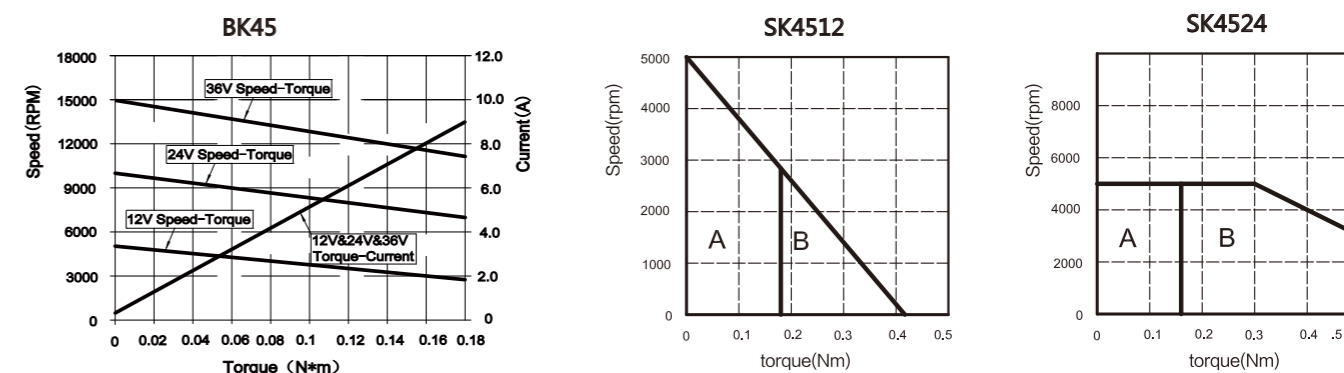
DC Brushless motor K serie | cont.175W, peak 435W



Dimensions / mm



Motor Graph



A: Continuous Working Area
B: Repeatedly Working Area