

1. It is coreless motor , no cogging effect
2. Hihgly dynamic 3-phase DC brushless motor with 2-pole magnet.
3. High efficiency ,no torque fluctuation .
4. The motor can match to encoder and gearbox .



### Motor Data

1	Nominal voltage/额定电压	V	24	48
2	Nominal power/额定功率	W	63	63
3	Nomina current/额定电流	A	3.2	1.6
4	Nominal torque/额定扭矩	mNm	60.8	61.6
5	Nominal speed/额定转速	rpm	9869	9809
6	Terminal resistance/端电阻	Ω	0.75	2.85
7	No-Load speed/ 空载转速	rpm	12000	11800
8	No-Load current/空载电流	mA	250	160
9	Speed constant/速度常数	rpm/V	500	246
10	Torque constant/扭矩常数	mNm/A	19.0	38.5
11	Stall current/堵转电流	A	32	16.8
12	Stall torque/堵转扭矩	mNm	607	648
13	Max. efficiency/最大效率	%	83	81

### Specifications

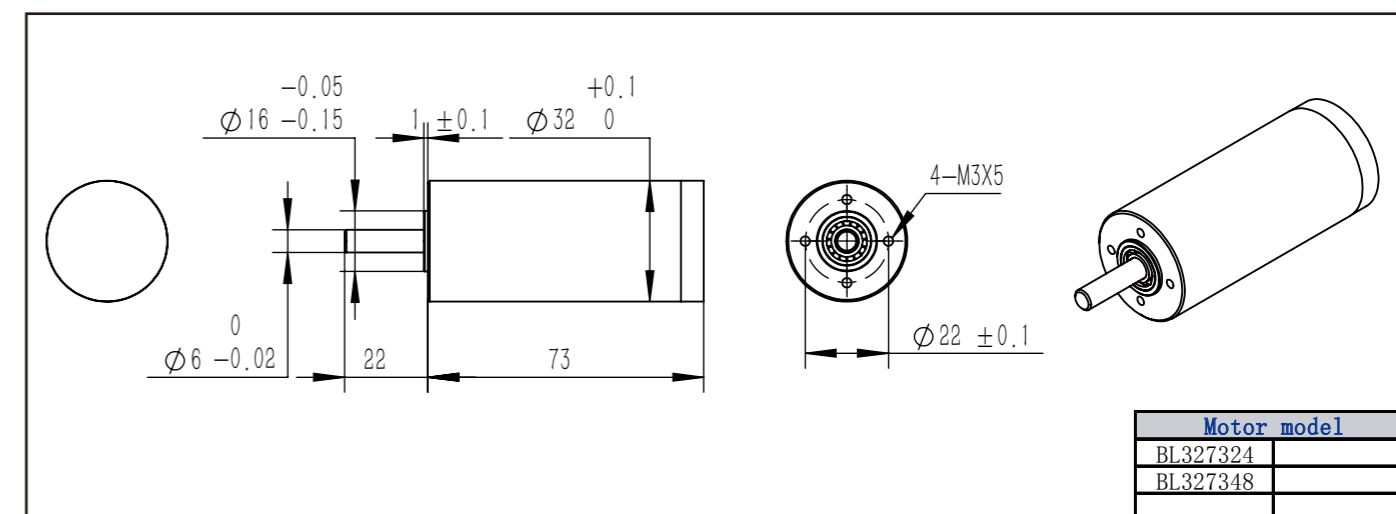
Ambient temperature range / 环境温度范围	-20~+85℃
Max. rotor temperature / 转子承受最高温度	120℃
Force for press-fits (static) / 最大允许安装力 (静态)	35N
Motor magnetic pole logarthm / 电机磁极对数	1
Number of phase/相数	3

### Terminal definitions

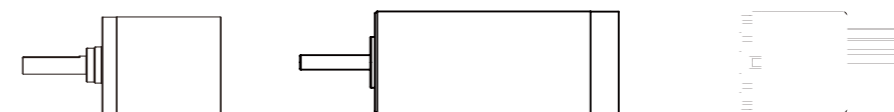
Black/黑色	U
Red/红色	V
White/白色	W
Yellow/黄色	H1
Gray/灰色	H2
Brown/棕色	H3
Blue/蓝色	GND
Green/绿色	V+



### Dimensions / mm



### Modular System



Planetary Gearbox

Type P32H

Diameter  $\phi 32$

Torque 1-6Nm

Magnet Encoer

1000CPT

3 channels